

CLOSETS.COM



TURN YOUR LIFE AROUND

With the 360° Organizer® Rotating Closet System



*Standard Valet
Configuration*

*Standard Shoe Spinner
Configuration*

Make organizing your shoes, clothing and accessories easy and convenient with the 360 Organizer®. This innovative design uses a patented rotating mechanism to allow for easy and quiet manual rotation while dramatically increasing storage space within a small footprint. It is available as either a free-standing unit or with a cabinet, and can be used alone or incorporated into a comprehensive closet system.

The 360 Organizer® is perfect for closets, pantries, wine storage, children's rooms and much more! Contact us today to see how a 360 Organizer® can be integrated into your new or existing storage system!



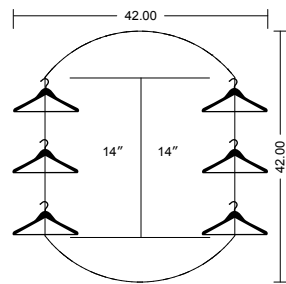
Freestanding Models

Make organizing your shoes, clothing and accessories easy and convenient with the 360 Organizer®. This innovative design uses a rotating mechanism to allow for easy and quiet manual rotation while dramatically increasing storage space. Available in 2 styles, It can be used alone as a free-standing unit (FS), or with a cabinet (built-in) to be included as part of a larger closet system. Seven standard models are available: the 360 Shoe Spinner Built-In with Cabinet, the 360 Shoe Spinner FS, the 360 Valet Built-In with Cabinet, the 360 Valet FS, the 360 Double Hang FS, the 360 Pantry Corner and the 360 Pantry Wall.



The 360 Organizer® Double Hang FS

- Offers two levels of hanging on the front and back, with adjustable shelving for shoes or smaller items on the sides.
- Side shelves: 28.375"W x 6.25"D (18 shelves)
- 24" wide hanging
- Requires 42" space for installation
- Overall Dimensions: 89"H x 42"W x 42"D



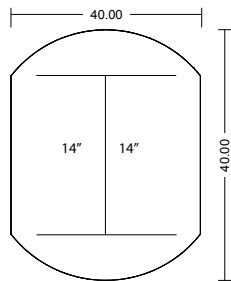
Front



Back

The 360 Organizer® Shoe Spinner FS

- Adjustable shelving maximizes the storage of shoes, purses and folded items.
- Main shelves: 24"W x 14"D (16 shelves)
- Side shelves: 28.375"W x 6.25"D (18 shelves)
- Requires a 40" space for installation
- Overall Dimensions: 89"H x 40"W x 40"D



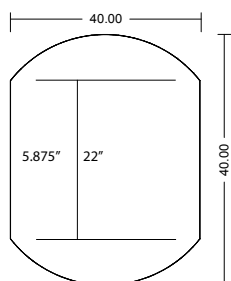
Front



Back

The 360 Organizer® Valet FS

- Allows for a combination of long hang, drawers and adjustable shelves to store a wide range of clothing, shoes and purses.
- Main shelves: 24"W x 5.875"D (8 shelves)
- Side shelves: 28.375"W x 6.25"D (18 shelves)
- Drawers: 22"D x 3"-7"H
- Requires a 40" space
- Overall Dimensions: 89"H x 40"W x 40"D



Front

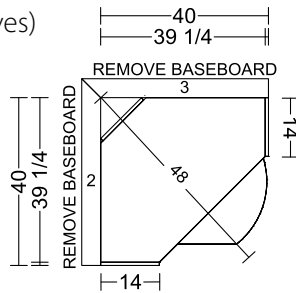


Back

Built-In Models with Cabinet

The 360 Organizer® Built-In Shoe Spinner with Cabinet

- Adjustable shelving maximizes the storage of shoes, purses and folded items.
- Main shelves: 24"W x 14"D (16 shelves)
- Side shelves: 28.375"W x 6.25"D (18 shelves)
- Requires a 40" space for installation
- Overall Dimensions: 91.5"H x 40"W x 40"D



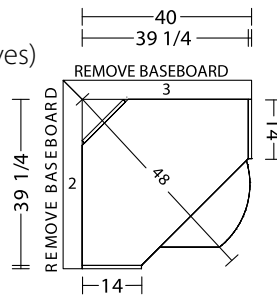
Front



Back

The 360 Organizer® Built-In Valet with Cabinet

- Allows for a combination of long hanging, drawers and adjustable shelves to store a wide range of clothing, shoes and purses.
- Main shelves: 24"W x 5.875"D (8 shelves)
- Side shelves: 28.375"W x 6.25"D (18 shelves)
- Drawers: 22"D x 3"-7"H
- Requires a 40" space
- Overall Dimensions: 91.5"H x 40"W x 40"D



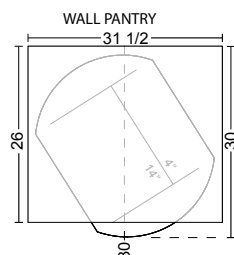
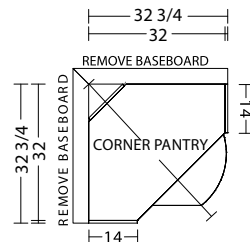
Front



Back

The 360 Organizer® Wall or Corner Pantry with Cabinet

- Two versions are available for use either in a corner or along a wall. All shelves include chrome fences to ensure items stay put.
- Deep Shelves: 18"W x 14"D"
- Shallow Shelves: 18"W x 4"D
- Side Shelves: 18"W x 3.5"D
- Dimensions Corner Pantry Cabinet: 84"H x 32.75"W x 32.75"D
- Dimensions Wall Pantry Cabinet: 84"H x 31.5"W x 26"D



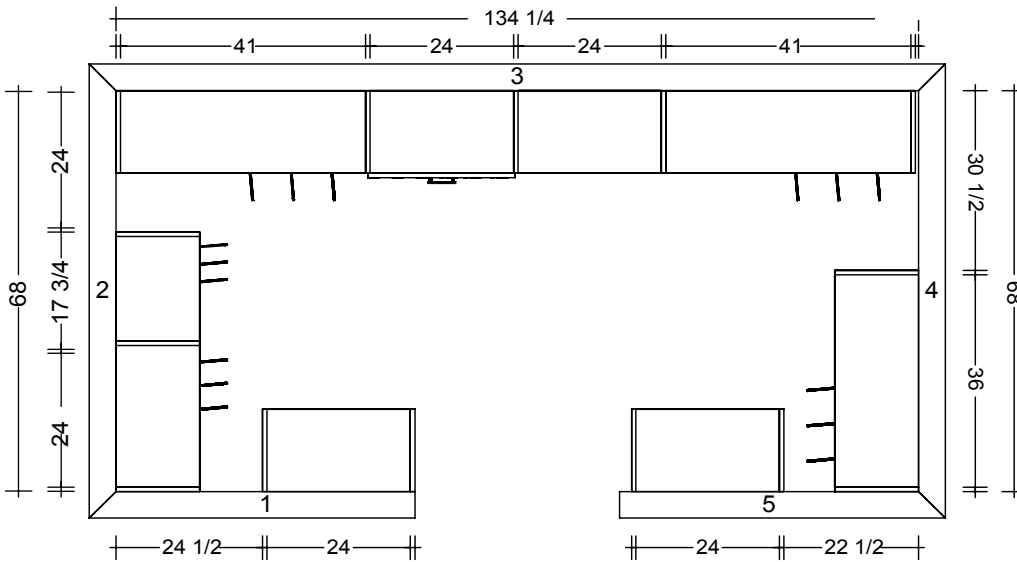
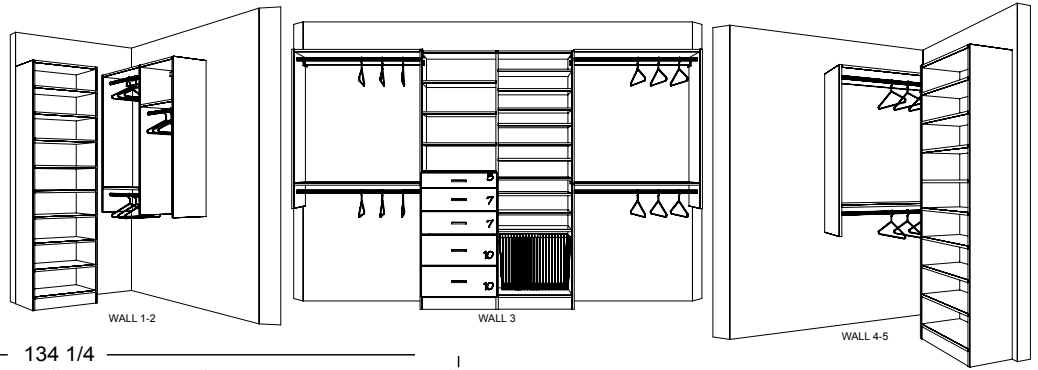
Corner



Wall

Closet Comparison

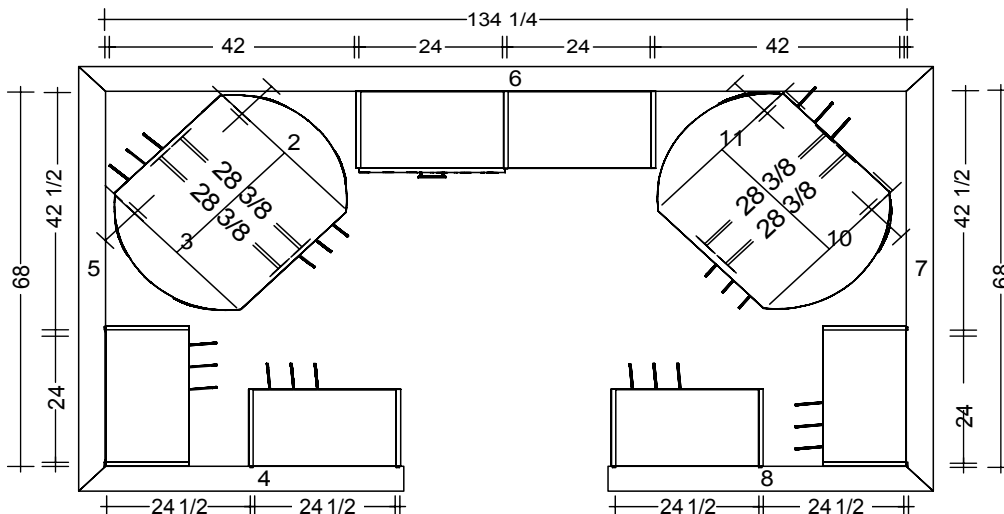
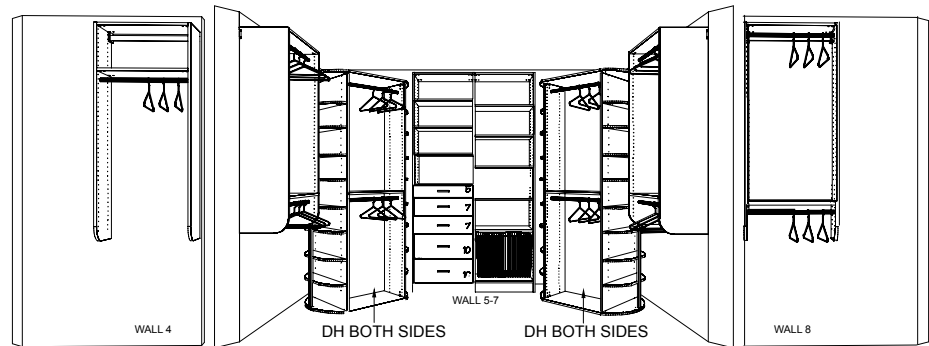
Compare a Closet Without the 360 Organizer®



STORAGE CAPACITY WITHOUT THE 360 ORGANIZER®

- Double Hanging: 284"
- Long Hanging: 18"
- Shoes: 90 pairs

Compare a Closet With the 360 Organizer®



STORAGE CAPACITY WITH THE 360 ORGANIZER®

- Double Hanging: 336"
- Long Hanging: 24"
- Shoes: 102 pairs

